

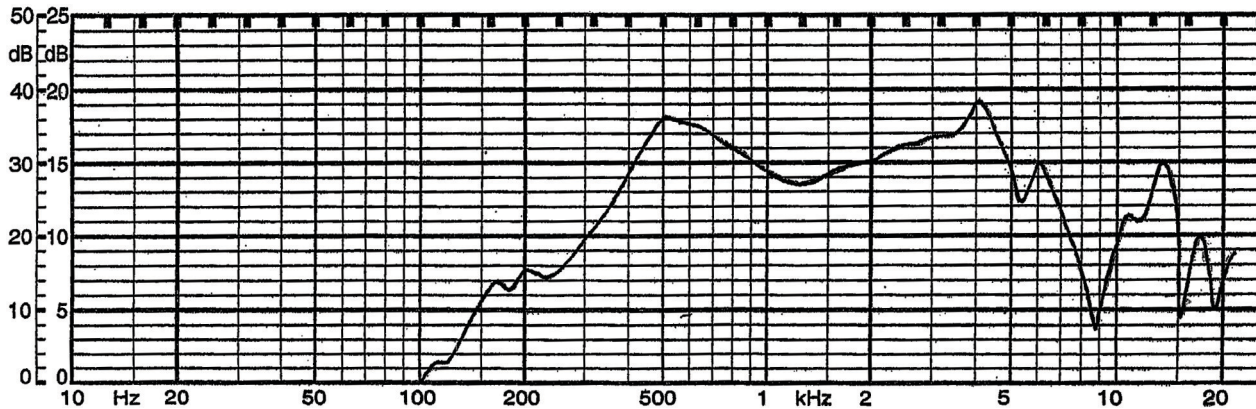


**Specifications**

|                      |                                      |                   |                         |
|----------------------|--------------------------------------|-------------------|-------------------------|
| Nominal Size         | 40 mm                                |                   |                         |
| Impedance            | 4 Ohm $\pm$ 15%                      | at                | 1 KHz 1 V               |
| Resonant frequency   | 500 Hz $\pm$ 100 Hz                  | at                | 1 V                     |
| Sound pressure level | 91 dB/w $\pm$ 3 dB                   | 1 w 50 cm ave at  | 0.6K, 0.8K, 1K, 1.2K Hz |
| Response             | Fo Hz ~ 7 KHz max 10 dB              |                   |                         |
| Input power          | Nominal 1 W                          | Handling capacity | 2 W                     |
| Operation            | must be normal at program source 1 W |                   |                         |
| Buzz, rattle, etc.   | must be normal at sine wave 2 V      |                   |                         |
| Magnet               | Size: 12.5 x 1.5 mm                  |                   |                         |
| Load test            | White noise 1 W                      | for               | 24 hours                |
| Heat test            | 60 $\pm$ 2° C                        | 20-50% R.H.       | 24 hours                |
| Humidity test        | 40 $\pm$ 2° C                        | 90-95% R.H.       | 24 hours                |

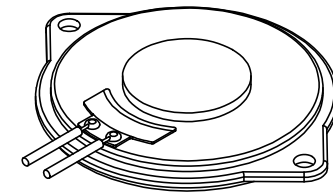
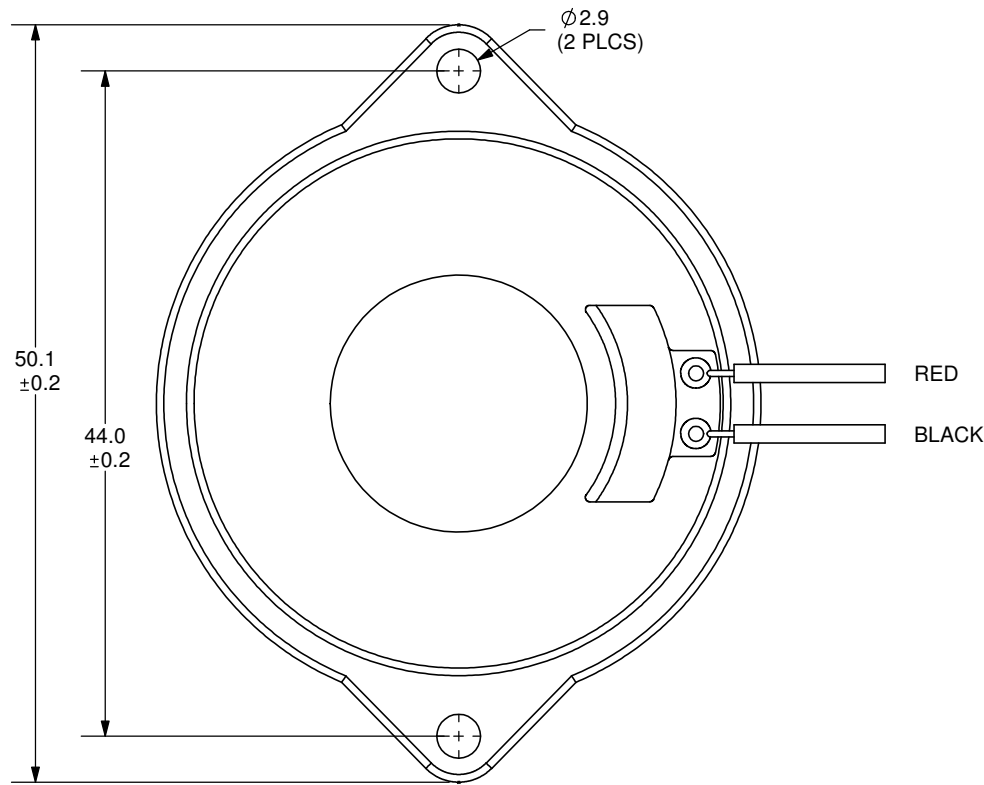
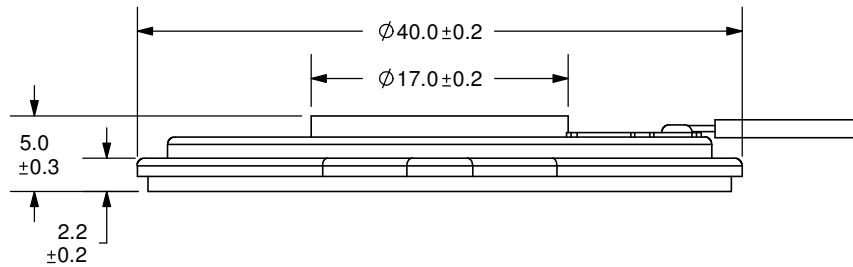
**Frequency Response Curve**

|                       |            |
|-----------------------|------------|
| Potentiometer range   | 50 dB      |
| Rectifier             | RMS        |
| Lower limit frequency | 20 Hz      |
| Wr. speed             | 100 mm/sec |



Zero level 60 dB

| REV. | DESCRIPTION | DATE     |
|------|-------------|----------|
| A    | NEW DRAWING | 7/3/2007 |



SCALE 1:1

SPECIFICATIONS:  
 WIRE: UL1007, #28AWG  
 LENGTH: 152mm

TOLERANCE:  
 $\pm 0.5\text{mm}$  UNLESS OTHERWISE SPECIFIED



20050 SW 112th Ave.  
 Tualatin, OR 97062  
 Phone: 503-612-2300  
 800-275-4899  
 Fax: 503-612-2383  
 Website: www.cui.com

|                            |                    |            |
|----------------------------|--------------------|------------|
| TITLE: LOW PROFILE SPEAKER |                    | REV: A     |
| PART NO. CLS0401MAE-L152   | UNITS: MM [INCHES] |            |
| DRAWN BY: ZRJ              | APPROVED BY:       | SCALE: 2:1 |

PC FILE NAME:  
 CLS0401MAE-L152

COPYRIGHT 2007 BY CUI INC.